

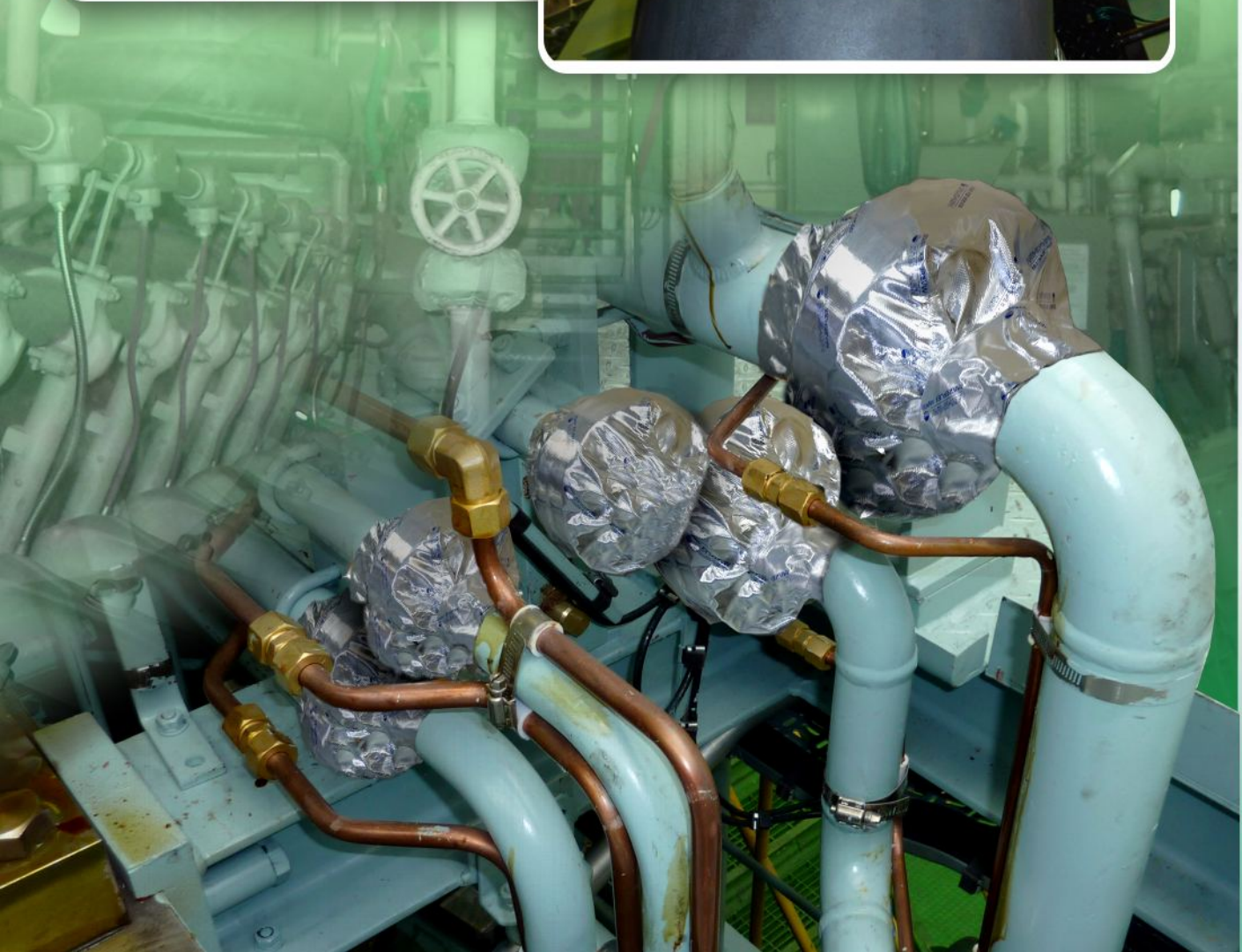


# MAREFLEX

Designed for marine new generation antislashing tape

## MAREFLEX MF 02

### 50 bar pressure



# SOLAS

MAREFLEX MF 02 (50 BAR) HIGH PRESSURE ANTISPLASH TAPE

## General description

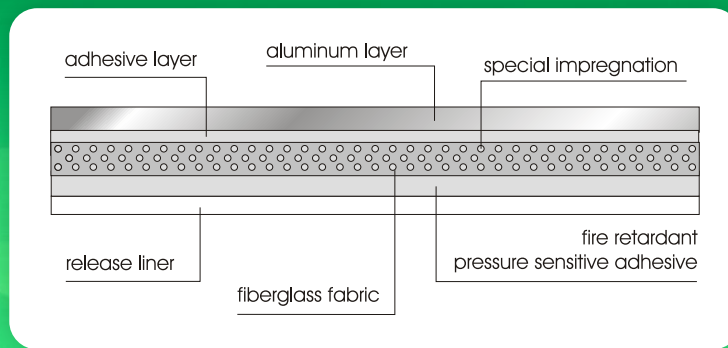
The Mareflex MF 02 (50 bar) High Pressure Antispray Tape is an improved version of Mareflex MF 01 Antispray Tape. It was designed for protecting high pressure (up to 50 bar) pipeline installations against spraying of dangerous substances. General purpose of the MF 02 tape is the same as so called "anti splashing tapes" described in Regulation II-2/4.2.2.5.3 (SOLAS Consolidate Edition 2001), with the exception of designed pressure, which is up to 50 bar.

Mareflex MF 02 (50 bar) Antispray Tape is supposed to serve as fire protection in case of leakage of flammable substances transported through the high-pressure pipeline. While MF 02 does not stop the leakage itself, it allows to avoid spraying of hazardous substances and therefore prevents from possible contact of flammable substances with a hot surfaces, which may be a cause of fire.

## Technical specification

The Mareflex MF 02 is produced from materials selected in such a way as to ensure protection against both high pressure and high temperature.

The picture below shows the idea of the tape's structure in a schematic way:



## Packing and transport

- The individual boxes are transported in the cumulative containers consisting of 9-100 individual boxes (depending on the product size).
- The containers are additionally covered with a moisture resistant protective foil.

## Physical properties and performed tests

<b>Color:</b>	Silver with blue overprint
<b>Thickness (total):</b>	480 micrometers
<b>Maximum pressure:</b>	50 bar (49,35 atm)
<b>Temperature range:</b>	up to 150 °C
<b>Shelflife:</b>	Indefinite, when properly stored

Physical prop.	Result	Regulation
<b>Tensile strength:</b>	2119 N ± 95	(acc to EN ISO 1421:2001)
<b>Elongation at break:</b>	4,0%	

## Availability

Product code	Dimension
MF02-35	35 mm x 10 meters
MF02-50	50 mm x 10 meters
MF02-100	100 mm x 10 meters

Product code	Dimension
MF02-140	140 mm x 10 meters
MF02-250	250 mm x 10 meters
MF02-500	500 mm x 10 meters

\* other dimensions available on special demand



**ClassNK**

**Mareflex GmbH**  
Osterrade 7  
21031 Hamburg  
Germany  
[www.mareflex.com](http://www.mareflex.com)

**Tel 1:** +49 40 702964 25  
**Tel 2:** +49 40 702964 26  
**Fax:** +49 40 702964 27  
**Skype:** mareflex.gmbh  
[mareflex@mareflex.com](mailto:mareflex@mareflex.com)